



OC-1A



OC-1B

## Hydraulic Medical Chair

OC-1A  
OC-1B

S e r v i n g   y o u r   v i s i o n



# Ideal chair for operators

## Hydraulic Medical Chair

# OC-1A/OC-1B

### Hard and thick cushion

Since hard and thick cushion is used, the body does not sink very deep and the operator doesn't feel so tired even after a long time sitting.

### Special seat shape

The seat is of special triangle which reduces the pressure on the rear thighs.

### Backrest to support the waist

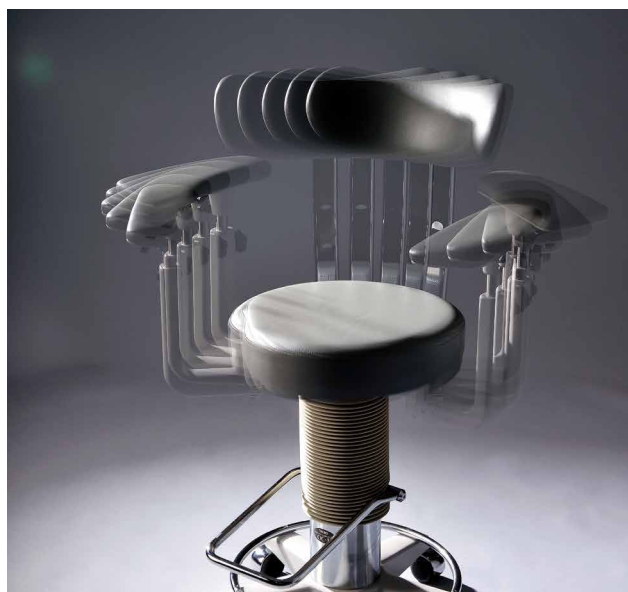
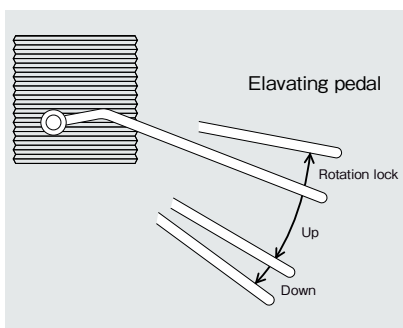
The backrest, with a width and curvature designed to hold the upper part of the waist, not only supports the back but also enables the operator to easily maintain a posture that lightens the load on the waist.

### Simple elevating section

Since the existing simple, highly durable mechanism is adopted to the pedal type elevating section, raising, lowering and seat rotation lock can be performed easily and securely.

### Armrest with cushion

The OC-1A armrest with cushion is slightly inclined inwards so that the arms are placed naturally.



### Caster with big diameter and wide width

Casters with big diameter and wide width reduce the resistance and enable the operator to move easily.

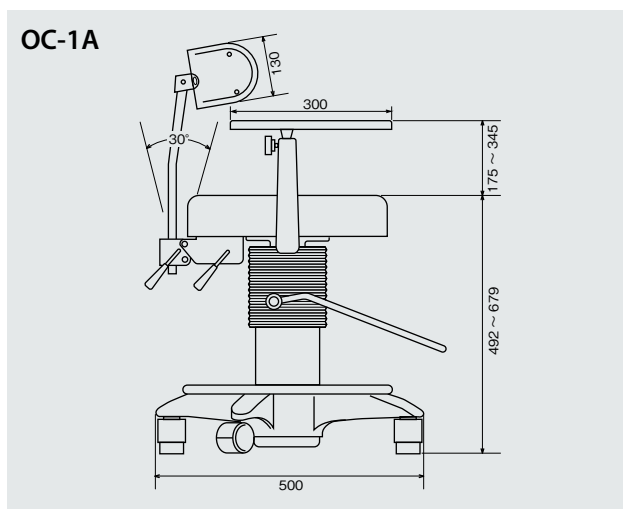
### Stable base section

The base is designed to be stable with five arm legs and the hydraulic mechanism of low center of gravity.

## Specifications

<b>Elevation method</b>	Pedal, hydraulic type
<b>Elevation stroke</b>	187mm
<b>Backrest up/down stroke</b>	230mm
<b>Seat size</b>	380mm(W)×390mm(D)
<b>Armrest front/rear stroke</b>	OC-1A : 170° (250mm) OC-1B : Not provided
<b>Load Capacity</b>	135kg
<b>Weight</b>	OC-1A : 31kg OC-1B : 25.5kg

## Dimensions



● Design and specifications are subject to change as improvements are made to the product.

**TAKAGI SEIKO CO.,LTD.**

330-2 IWAFUNE, NAKANO-SHI, NAGANO-KEN, 383-8585, JAPAN  
TEL.+81-269-22-4512 FAX.+81-269-26-6321  
URL:<http://www.takagi-j.com> E-mail:[info@takagi-j.com](mailto:info@takagi-j.com)

